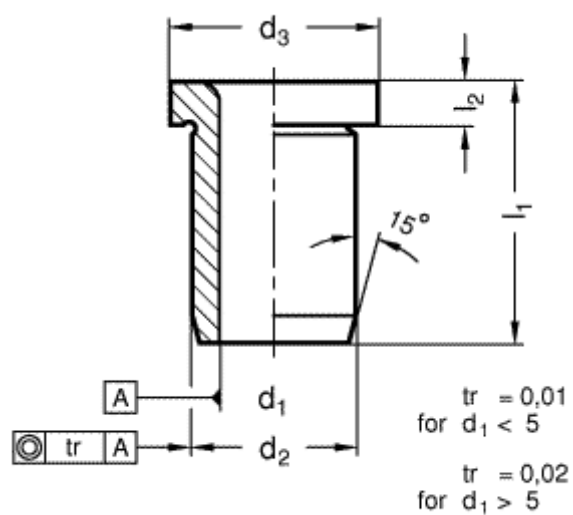


Article number: 201134064

Description: E+G Guide bush DIN 172-B11-20-A  
with collar

## Measures



$d_1 = 11,5$

$d_2 = 18$

$d_3 = 22$

$l_1 = 20$

$l_2 = 4$